

JIB500GR

HYDRAULIC BEAM MANIPULATOR



STEEL BEAM MANIPULATOR AVAILABLE FOR:

- ✓ SPX532
- ✓ SPX650

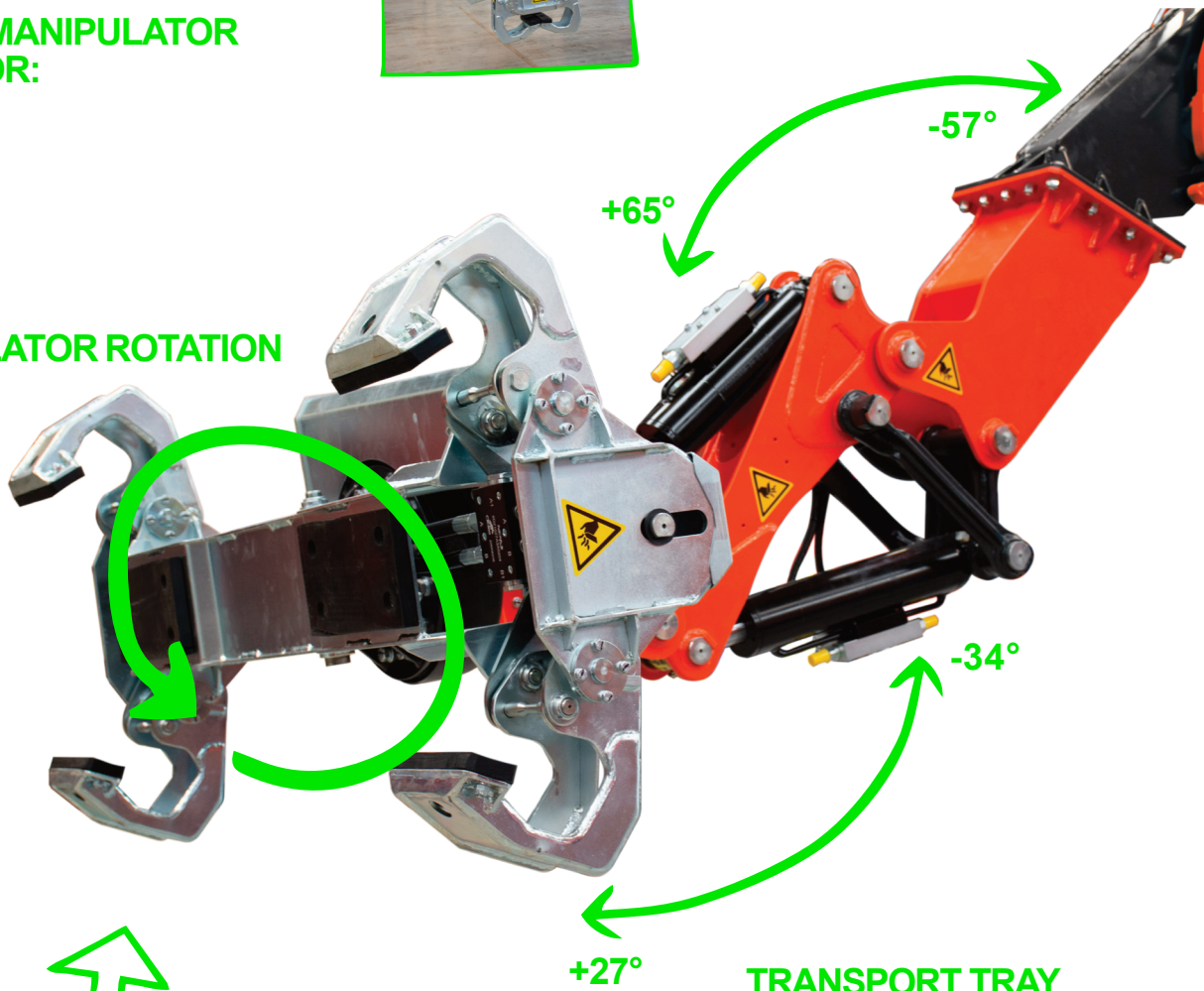
MOVEMENTS

- ✓ 360° continuous rotation
- ✓ -57° / +65° tilt A
- ✓ -34° / +26° tilt B

500 KG MAX CAPACITY



360° MANIPULATOR ROTATION



PLUG & PLAY

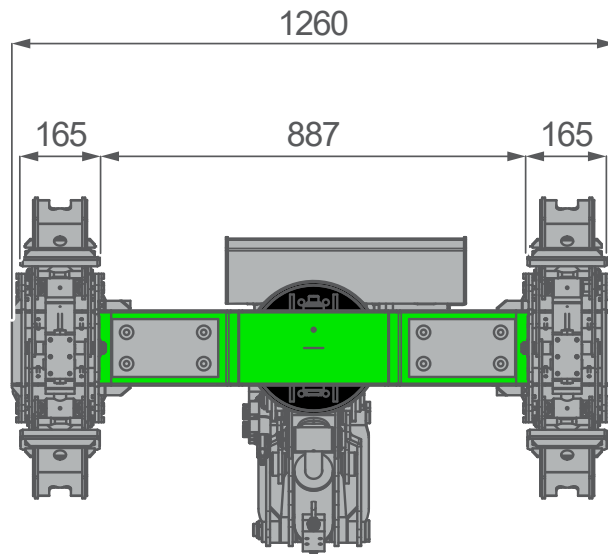
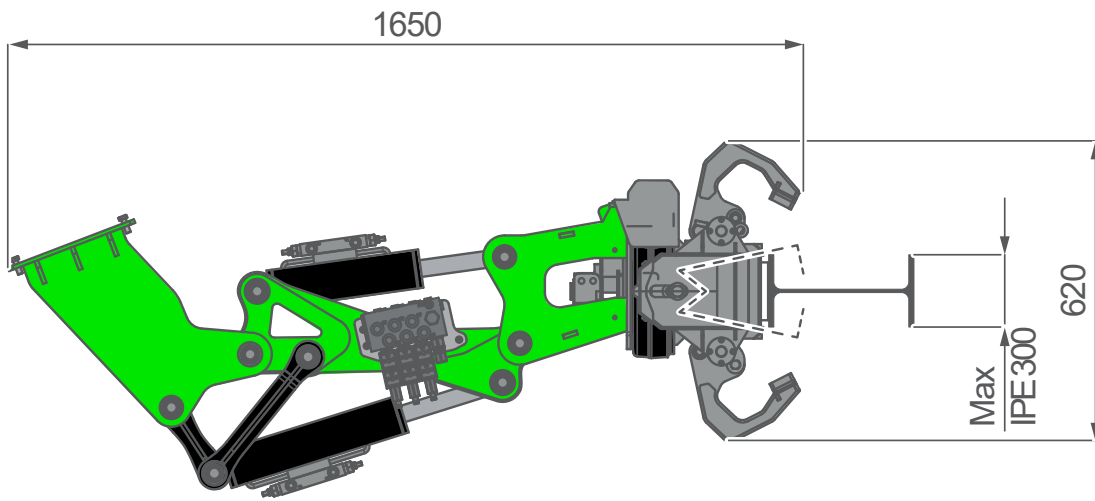
- ✓ Completely hydraulic
- ✓ Fully integrated with the crane
- ✓ Works with the crane remote

TRANSPORT TRAY

- ✓ Practical and sturdy
- ✓ Easy to install







OVERALL DIMENSIONS
JIB500GR

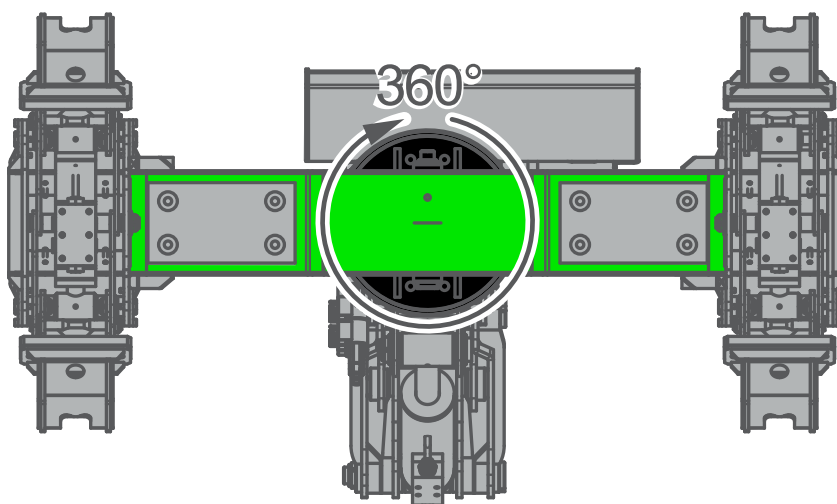


OVERALL INFORMATION

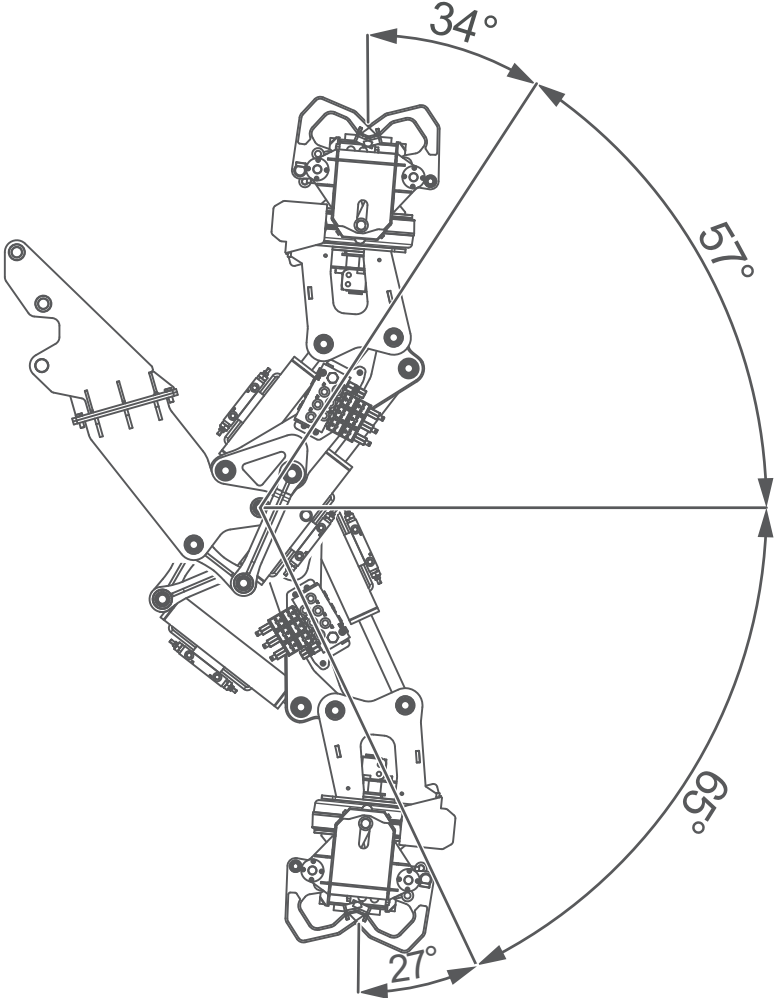
| WEIGHTS | | Name/ version | kg |
|---------|---|------------------|----------|
| |  | JIB500GR | JIB500GR |
| | Adapters | SPX532 | 18 |

| MOVEMENTS |  | Tilt A | -57° / +65° |
|-----------|---|---------------------|----------------|
| |  | Tilt B | -34° / +26° |
| |  | Rotation | 360° |
| CAPACITY |  | Maximum Capacity | Max: 500 kg |

MOVEMENTS ROTATION

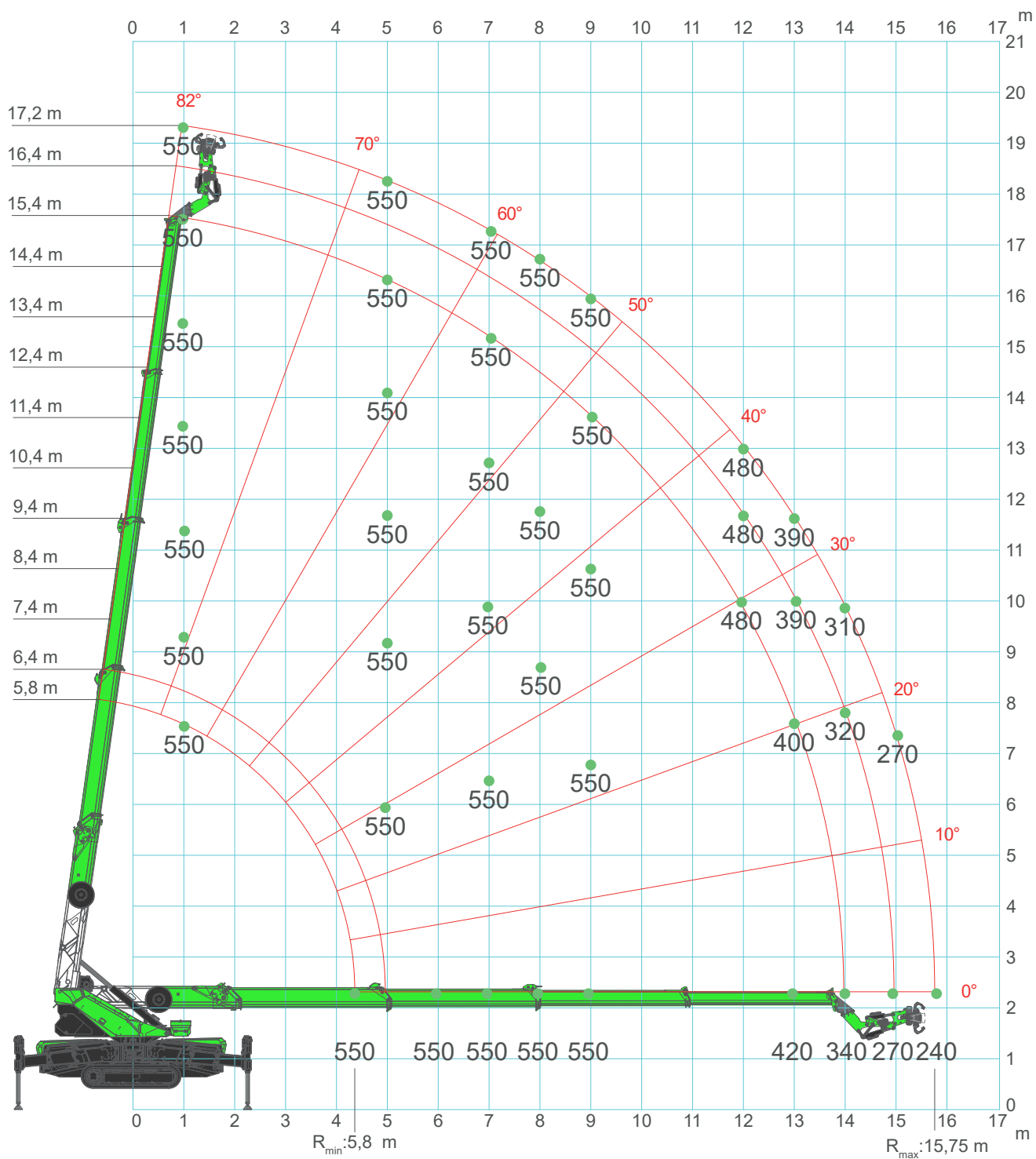


**MOVEMENTS
TILT**



SPX650 - JIB500GR

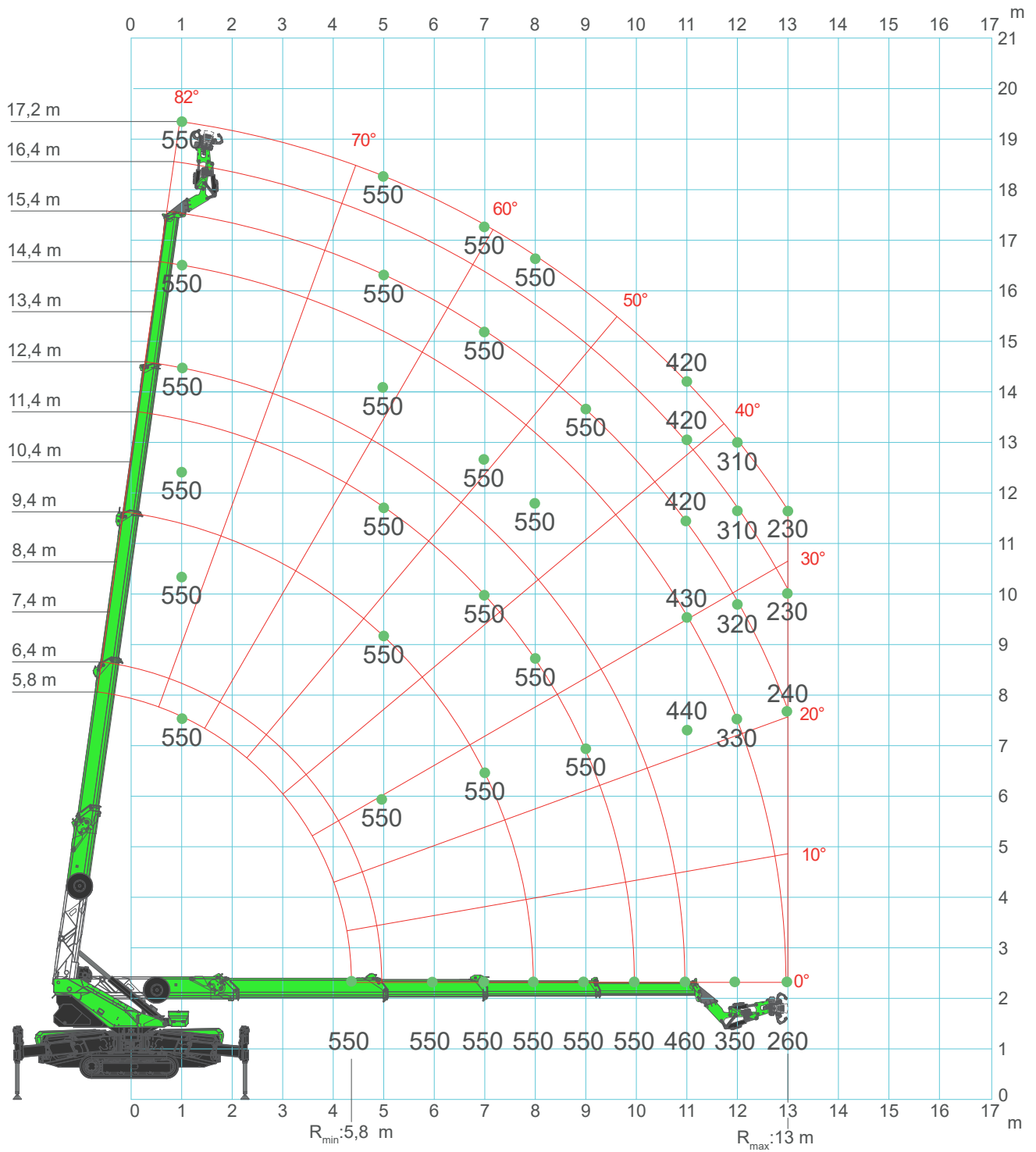
J7



[kg]

SPX650 - JIB500GR

J6



[kg]

SPX532 - JIB500GR

